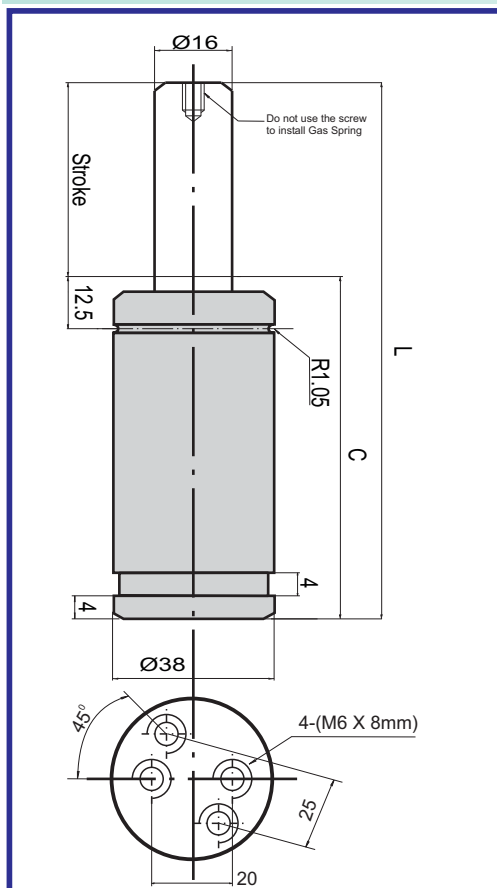
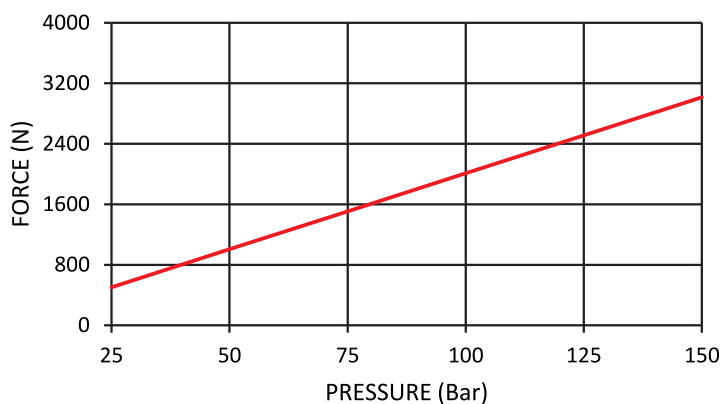
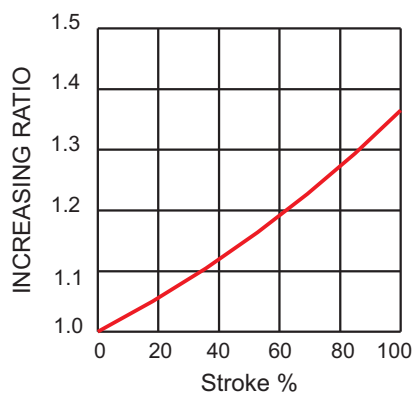


## ▶ Gas Spring - NFS-S3-300 Series



Code	Stroke mm	L mm (± 0.25)	C mm (-0.2)	Initial Kg (N)	End Force Kg (N)
NFS-S3-300	10	70	60	306 (3000)	397 (3900)
	15	80	65		408 (4000)
	20	90	70		408 (4000)
	25	100	75		418 (4100)
	30	110	80		418 (4100)
	35	120	85		418 (4100)
	38	126	88		418 (4100)
	40	130	90		418 (4100)
	45	140	95		418 (4100)
	50	150	100		418 (4100)
	60	170	110		418 (4100)
	63	176	113		418 (4100)
	70	190	120		418 (4100)
	80	210	130		418 (4100)
	90	230	140		418 (4100)
	100	250	150		428 (4200)
	110	270	160		428 (4200)
120	290	170	428 (4200)		
125	300	175	428 (4200)		

## ▶ Charging Pressure / Force Increase Factor



## ▶ Gas Spring Mountings



**38 - BTC**  
Ref Page No.97



**38 - TPC**  
Ref Page No.99



**38 - STPC**  
Ref Page No.98

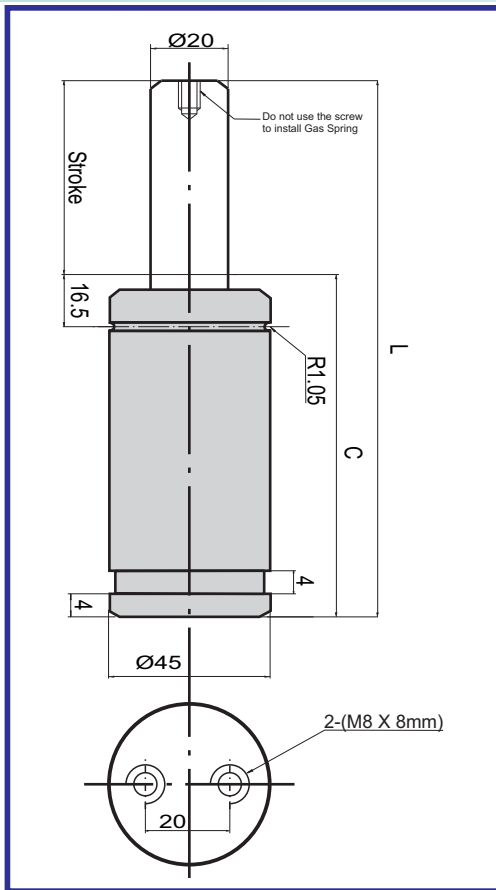


**38 - FLC**  
Ref Page No.99



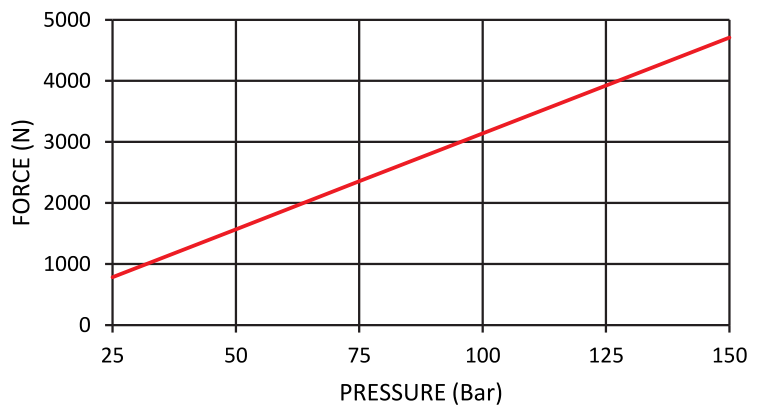
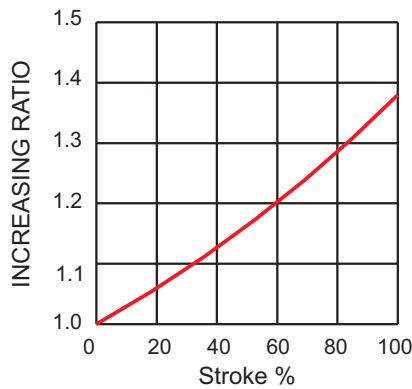
**38 - FLCA**  
Ref Page No.100

## ▶ Gas Spring - NFS-S3-500 Series



Code	Stroke mm	L mm (± 0.25)	C mm (-0.2)	Initial Kg (N)	End Force Kg (N)
NFS-S3-500	10	70	60	474 (4650)	622 (6100)
	15	80	65		632 (6200)
	20	90	70		642 (6300)
	25	100	75		642 (6300)
	30	110	80		652 (6400)
	35	120	85		652 (6400)
	38	126	88		652 (6400)
	40	130	90		652 (6400)
	45	140	95		652 (6400)
	50	150	100		652 (6400)
	60	170	110		662 (6500)
	63	176	113		662 (6500)
	70	190	120		662 (6500)
	80	210	130		662 (6500)
	90	230	140		662 (6500)
	100	250	150		662 (6500)
110	270	160	662 (6500)		
120	290	170	662 (6500)		
125	300	175	662 (6500)		

## ▶ Charging Pressure / Force Increase Factor



## ▶ Gas Spring Mountings



**45 - BTC**  
Ref Page No.97



**45 - BSP(A/B)**  
Ref Page No.97



**45 - TPC**  
Ref Page No.99



**45 - STPC**  
Ref Page No.98



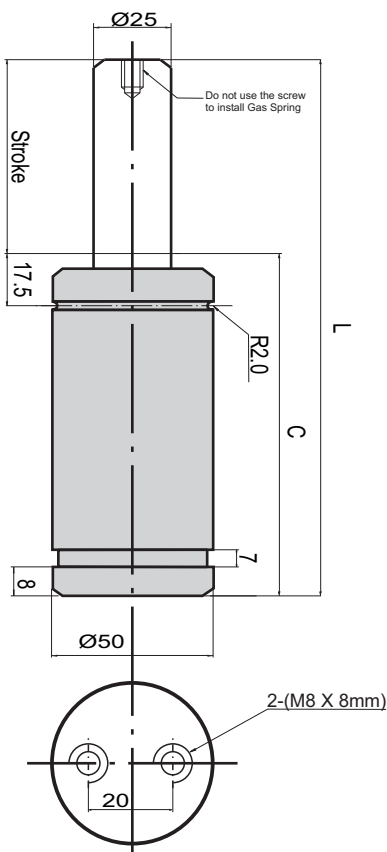
**45 - FLC**  
Ref Page No.99



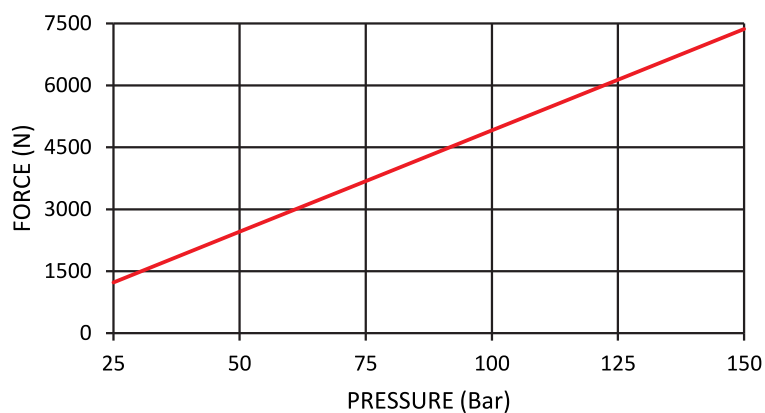
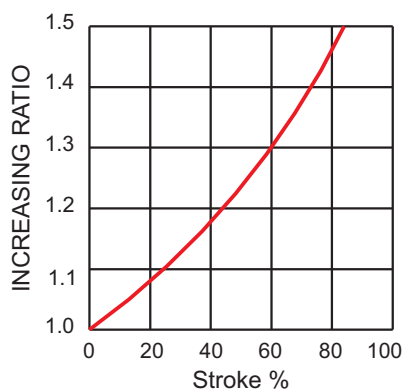
**45 - FLCA**  
Ref Page No.100

## ▶ Gas Spring - NFS-S3-750 Series

Code	Stroke mm	L mm (± 0.25)	C mm (-0.2)	Initial Kg (N)	End Force Kg (N)
	10	70	60	749 (7350)	1192 (11,700)
	13	76	63		1202 (11,800)
	15	80	65		1202 (11,800)
	20	90	70		1213 (11,900)
	25	100	75		1213 (11,900)
	30	110	80		1213 (11,900)
	35	120	85		1213 (11,900)
	38	126	88		1223 (12,000)
	40	130	90		1223 (12,000)
	45	140	95		1223 (12,000)
	50	150	100		1223 (12,000)
	60	170	110		1223 (12,000)
	63	176	113		1223 (12,000)
	70	190	120		1223 (12,000)
	75	200	125		1223 (12,000)
	80	210	130		1223 (12,000)
	90	230	140		1223 (12,000)
	100	250	150		1223 (12,000)
	125	300	175	1223 (12,000)	



## ▶ Charging Pressure / Force Increase Factor



## ▶ Gas Spring Mountings



**50 - BTC**  
Ref Page No.97



**50 - BSP(A/B)**  
Ref Page No.97



**50 - TPC**  
Ref Page No.99



**50 - STPC**  
Ref Page No.98

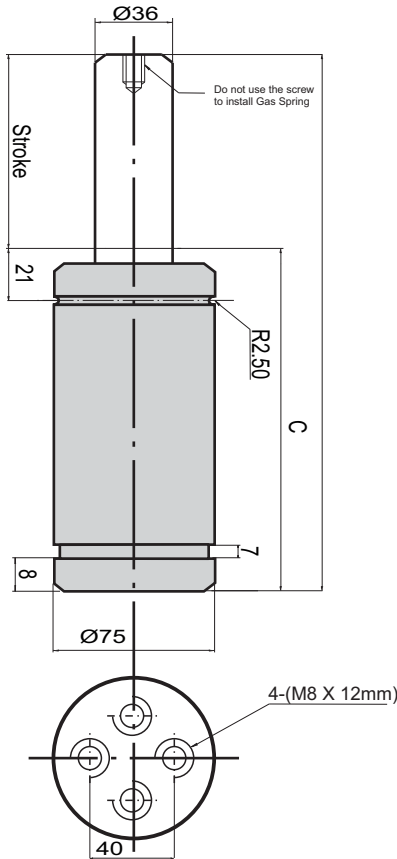


**50 - FLC**  
Ref Page No.99



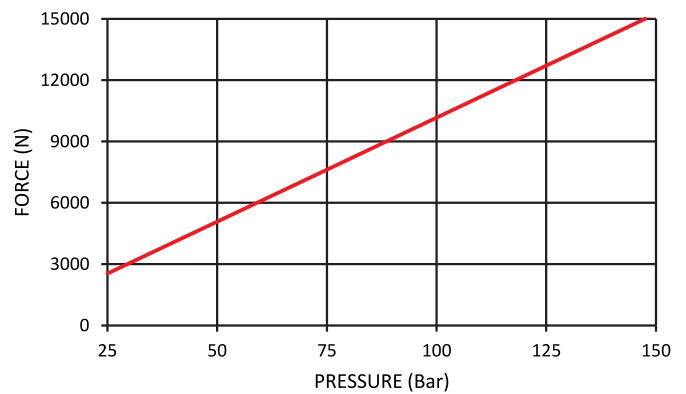
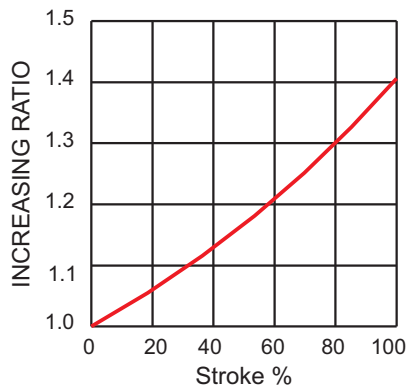
**50 - FLCA**  
Ref Page No.100

## ▶ Gas Spring - NFS-S3-1500 Series



Code	Stroke mm	L mm (± 0.25)	C mm (-0.2)	Initial Kg (N)	End Force Kg (N)
NFS-S3-1500	10	114	104	1544 (15,150)	1937 (19,000)
	13	120	107		1988 (19,500)
	15	124	109		2008 (19,700)
	20	134	114		2059 (20,200)
	25	144	119		2090 (20,500)
	30	154	124		2120 (20,800)
	35	164	129		2130 (20,900)
	38	170	132		2140 (21,000)
	40	174	134		2140 (21,000)
	45	184	139		2161 (21,200)
	50	194	144		2171 (21,300)
	60	214	154		2191 (21,500)
	63	220	157		2191 (21,500)
	70	234	164		2202 (21,600)
	75	244	169		2202 (21,600)
	80	254	174		2212 (21,700)
	90	274	184		2222 (21,800)
	100	294	194		2222 (21,800)
	125	344	219		2232 (21,900)
	150	394	244		2242 (22,000)
160	414	254	2242 (22,000)		
175	444	269	2253 (22,100)		
200	494	294	2253 (22,100)		

## ▶ Charging Pressure / Force Increase Factor



## ▶ Gas Spring Mountings



**75 - BTC**  
Ref Page No.97



**75 - BSP(A/B)**  
Ref Page No.97



**75 - TPC**  
Ref Page No.99



**75 - STPC**  
Ref Page No.98

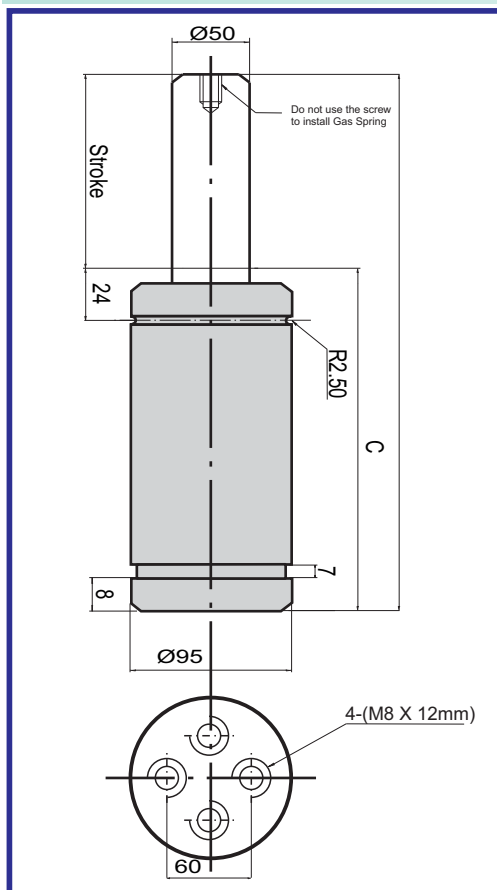


**75 - FLC**  
Ref Page No.99



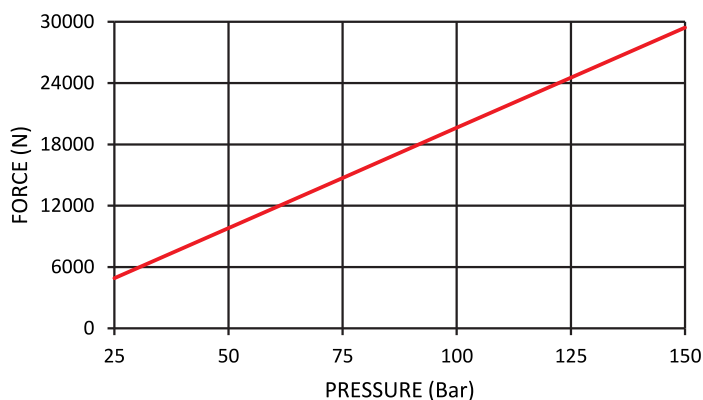
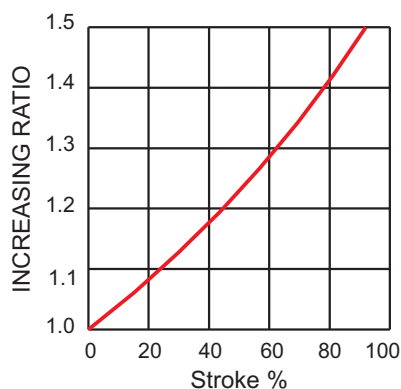
**75 - FLCA**  
Ref Page No.100

## ▶ Gas Spring - NFS-S3-3000 Series



Code	Stroke mm	L mm (± 0.25)	C mm (-0.2)	Initial Kg (N)	End Force Kg (N)
NFS-S3-3000	10	114	104	2997 (29,400)	4159 (40,800)
	13	120	107		4271 (41,900)
	15	124	109		4332 (42,500)
	20	134	114		4444 (43,600)
	25	144	119		4515 (44,300)
	30	154	124		4566 (44,800)
	35	164	129		4607 (45,200)
	38	170	132		4628 (45,400)
	40	174	134		4648 (45,600)
	45	184	139		4669 (45,800)
	50	194	144		4689 (46,000)
	60	214	154		4730 (46,400)
	63	220	157		4730 (46,400)
	70	234	164		4750 (46,600)
	75	244	169		4760 (46,700)
	80	254	174		4770 (46,800)
	90	274	184		4781 (46,900)
	100	294	194		4791 (47,000)
	125	344	219		4821 (47,300)
	150	394	244		4832 (47,400)
160	414	254	4842 (47,500)		
175	444	269	4842 (47,500)		
200	494	294	4852 (47,600)		

## ▶ Charging Pressure / Force Increase Factor



## ▶ Gas Spring Mountings



**95 - BTC**  
Ref Page No.97



**95 - BSP(A/B)**  
Ref Page No.97



**95 - TPC**  
Ref Page No.99



**95 - STPC**  
Ref Page No.98

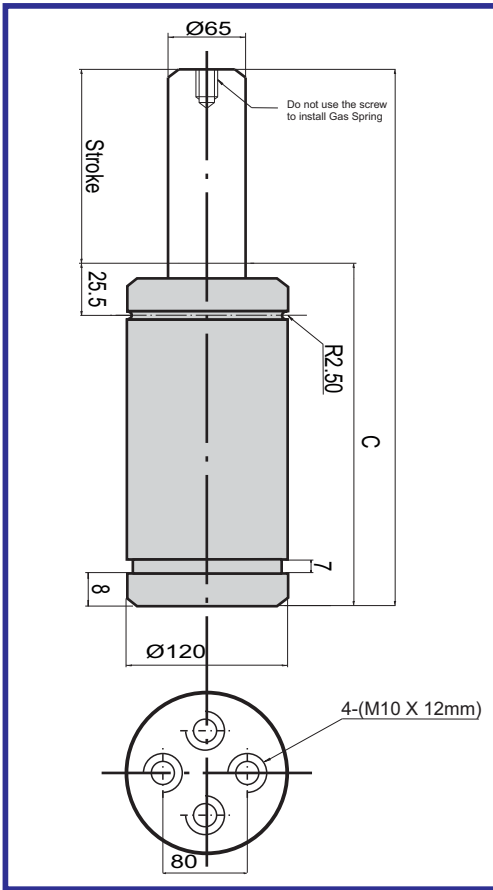


**95 - FLC**  
Ref Page No.99



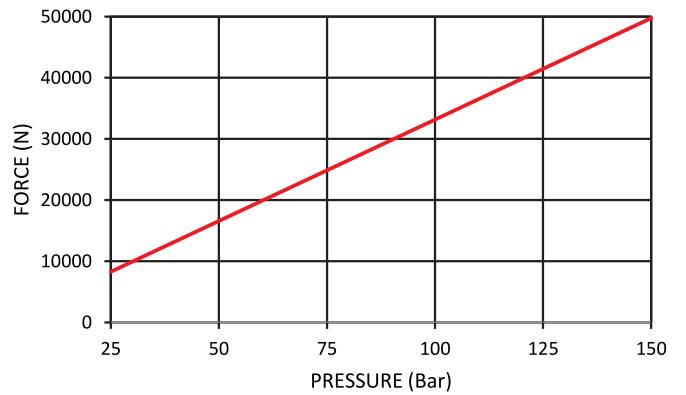
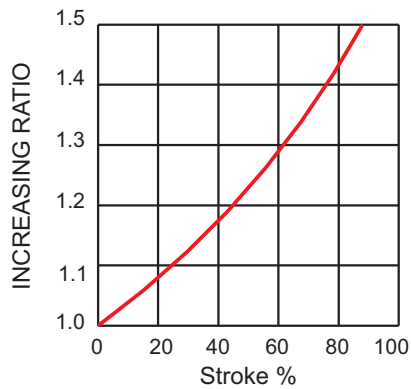
**95 - FLCA**  
Ref Page No.100

## ▶ Gas Spring - NFS-S3-5000 Series

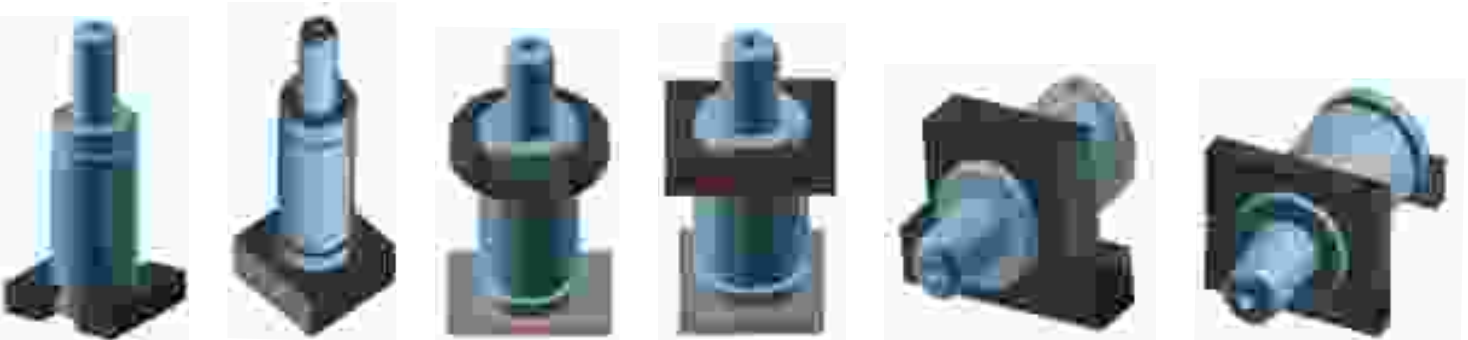


Code	Stroke mm	L mm (±0.2)	C mm (-0.2)	Initial Kg(N)	End Force Kg(N)
NFS-S3-5000	10	117	107	5061 (49,650)	6870 (67,400)
	13	123	110		7115 (69,800)
	15	127	112		7237 (71,000)
	20	137	117		7492 (73,500)
	25	147	122		7665 (75,200)
	30	157	127		7798 (76,500)
	35	167	132		7910 (77,600)
	38	173	135		7961 (78,100)
	40	177	137		7992 (78,400)
	45	187	142		8063 (79,100)
	50	197	147		8114 (79,600)
	60	217	157		8206 (80,500)
	63	223	160		8226 (80,700)
	70	237	167		8277 (81,200)
	75	247	172		8297 (81,400)
	80	257	177		8328 (81,700)
	90	277	187		8369 (82,100)
	100	297	197		8399 (82,400)
	125	347	222		8471 (83,100)
	150	397	247		8511 (83,500)
160	417	257	8522 (83,600)		
175	447	272	8542 (83,800)		
200	497	297	8572 (84,100)		

## ▶ Charging Pressure / Force Increase Factor



## ▶ Gas Spring Mountings



**120 - BTC**  
Ref Page No.97

**120 - BSP(A/B)**  
Ref Page No.97

**120 - TPC**  
Ref Page No.99

**120 - STPC**  
Ref Page No.98

**120 - FLC**  
Ref Page No.99

**120 - FLCA**  
Ref Page No.100